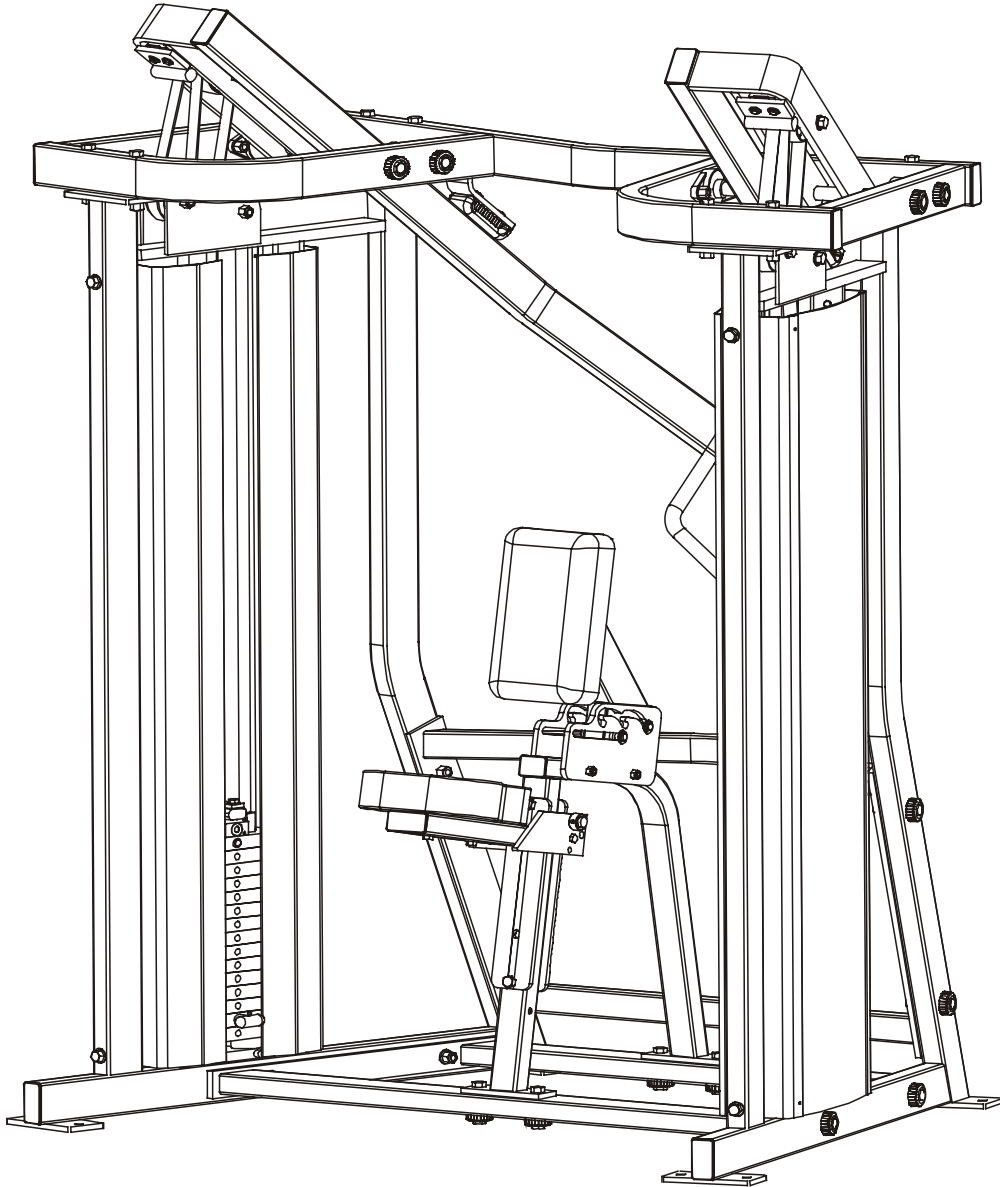


# *LifeFitness*

**MTS - MOTION TECHNOLOGY SELECTORIZED  
MTRW ROW PRESS**



**Customer Support Services  
PARTS MANUAL**

# MTRW ROW PRESS

Notes:

---



# MTRW ROW PRESS

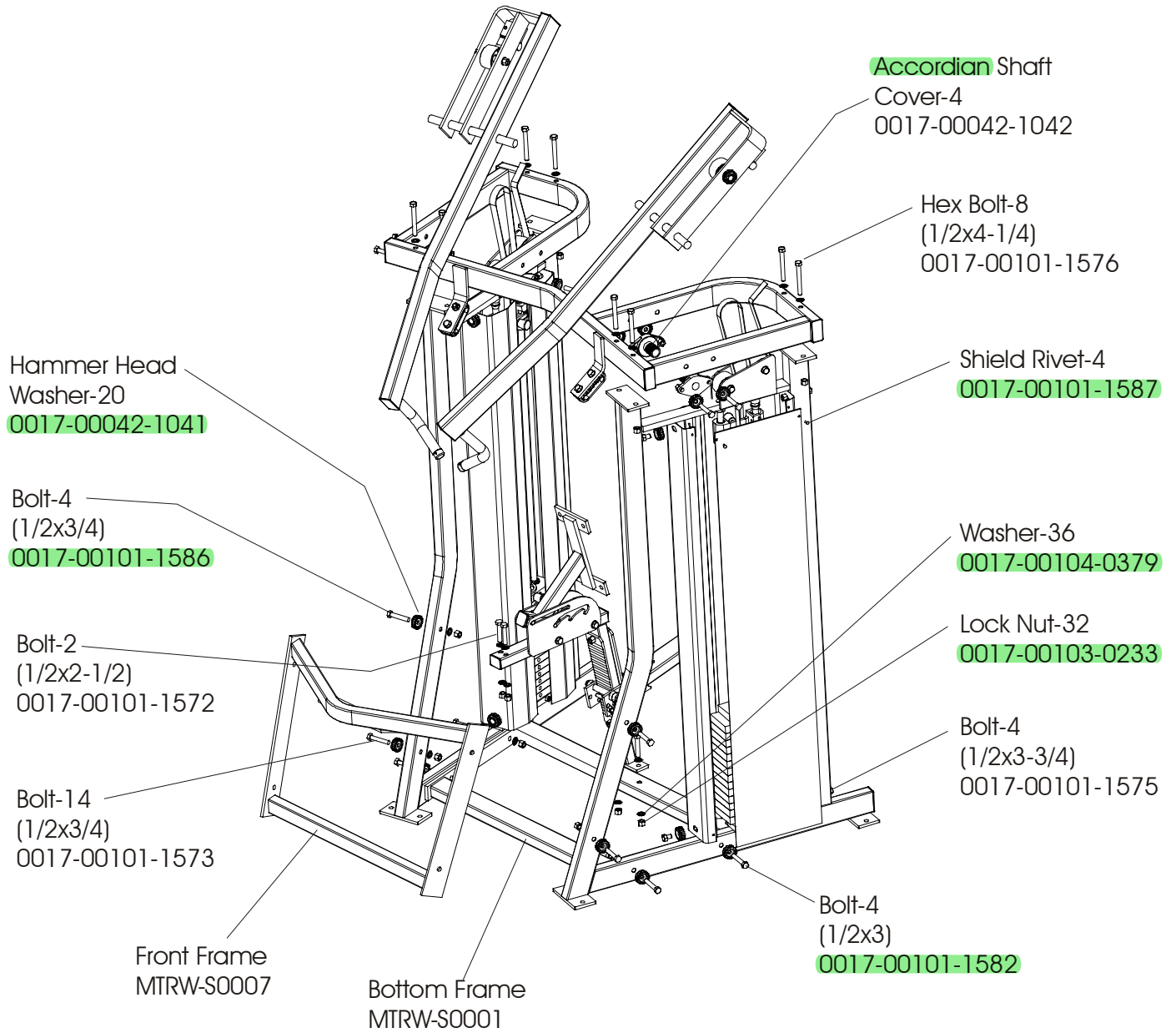
## Contents

---

	<b>PAGE</b>
COMPONENT ASSEMBLY .....	4
LEFT MOVEMENT ARM.....	5
RIGHT MOVEMENT ARM.....	6
TOP FRAME ASSEMBLY.....	7
LEFT SIDE FRAME .....	8
RIGHT SIDE FRAME .....	9
PADS.....	10
SEAT FRAME WELDMENT .....	11
SEAT FRAME ASSEMBLY .....	12
SEAT ROLLER ASSEMBLY .....	13
INCREMENT WEIGHT .....	14
WEIGHT STACK.....	15
DECALS .....	16

# MTRW ROW PRESS

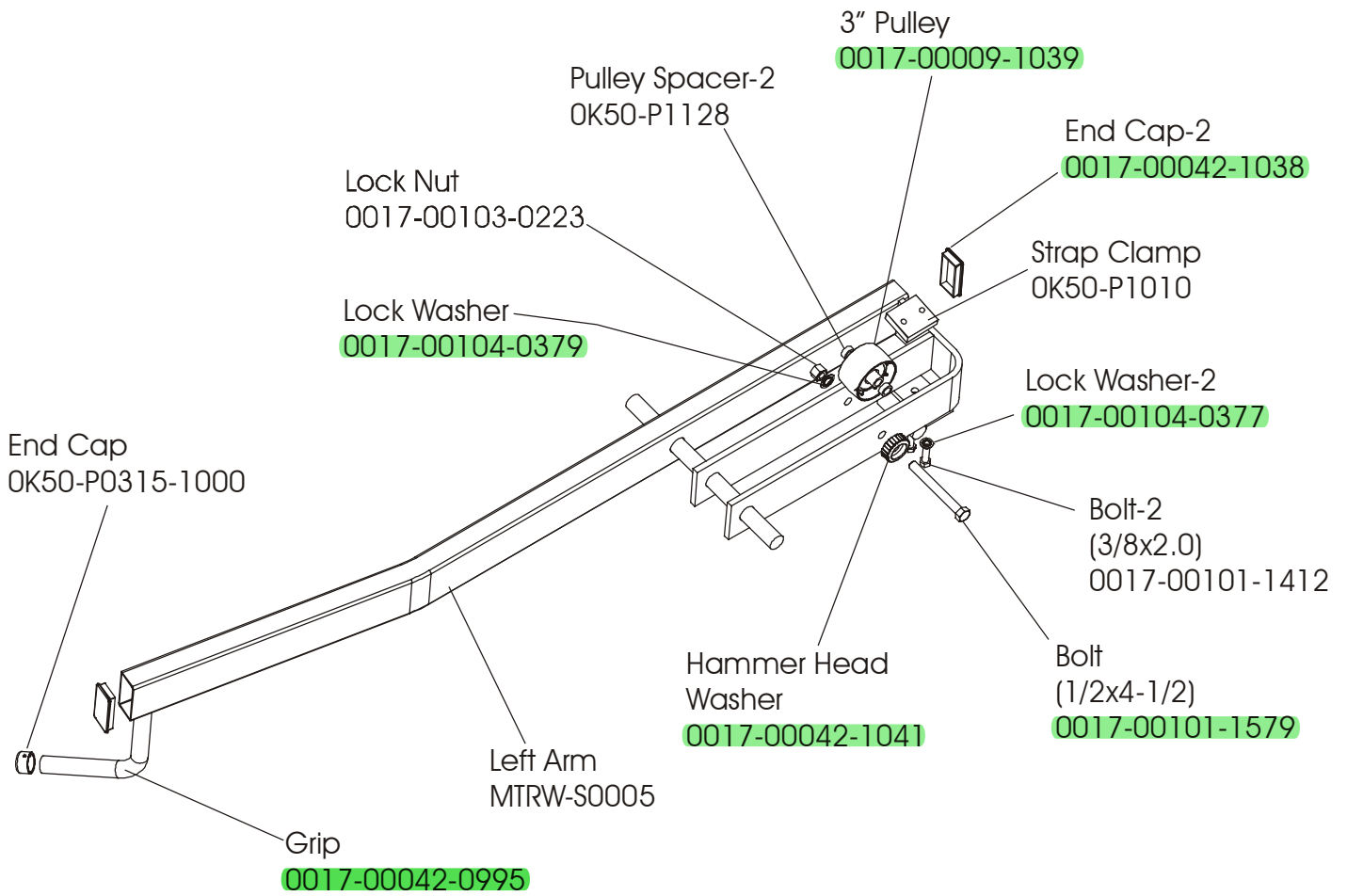
## COMPONENT ASSEMBLY



# MTRW ROW PRESS

## LEFT MOVEMENT ARM

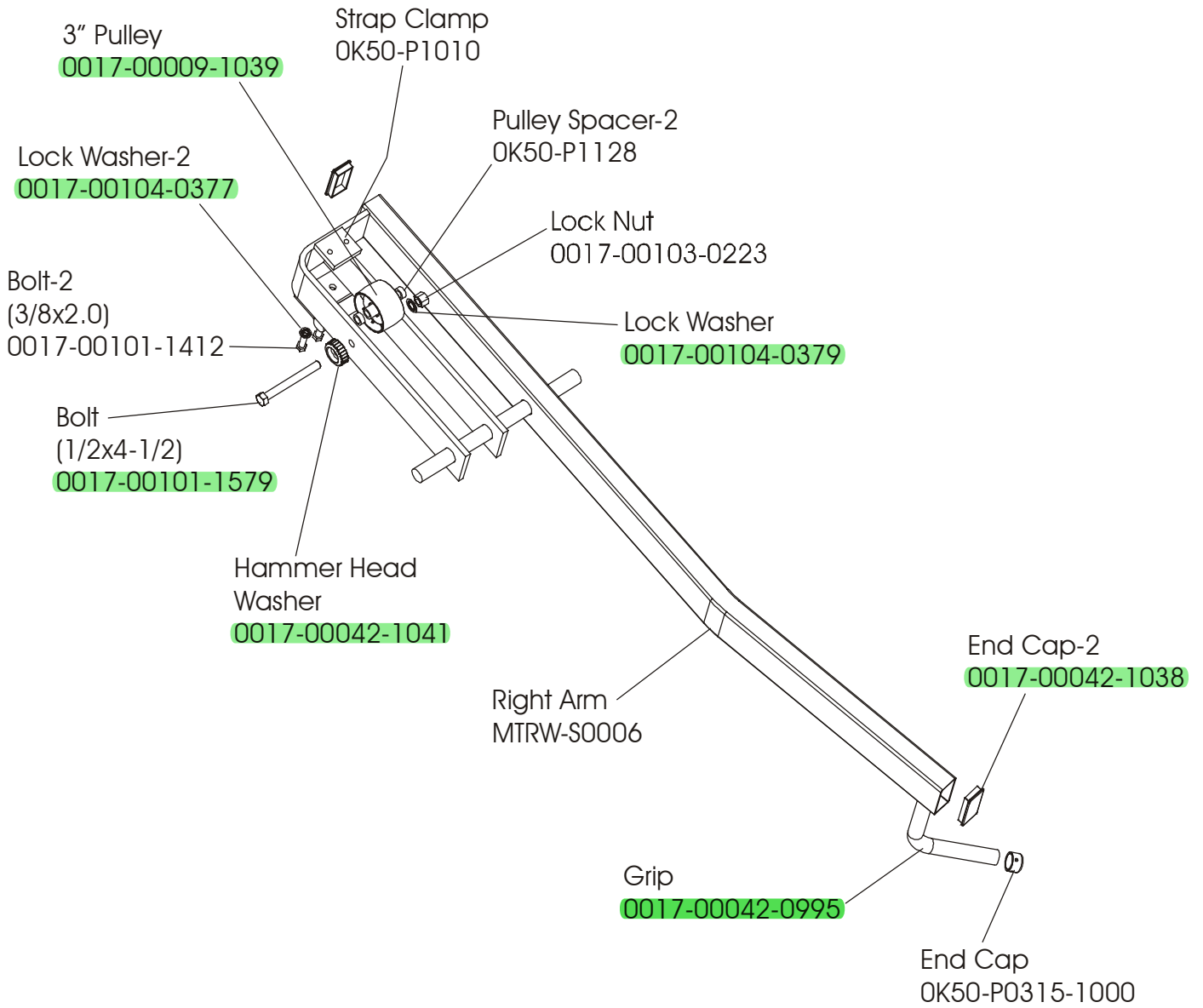
---



# MTRW ROW PRESS

## RIGHT MOVEMENT ARM

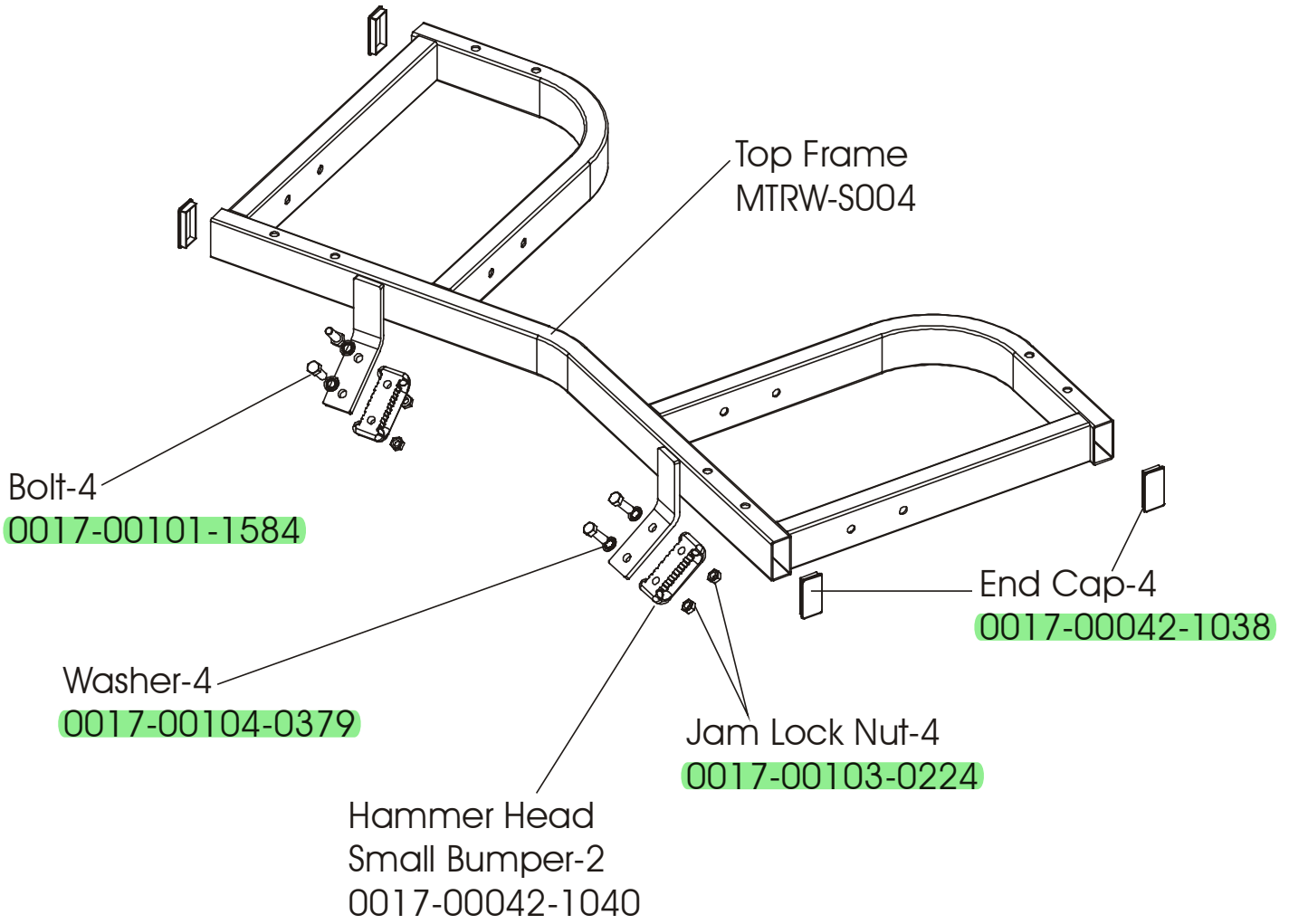
---



# MTRW ROW PRESS

## TOP FRAME ASSEMBLY

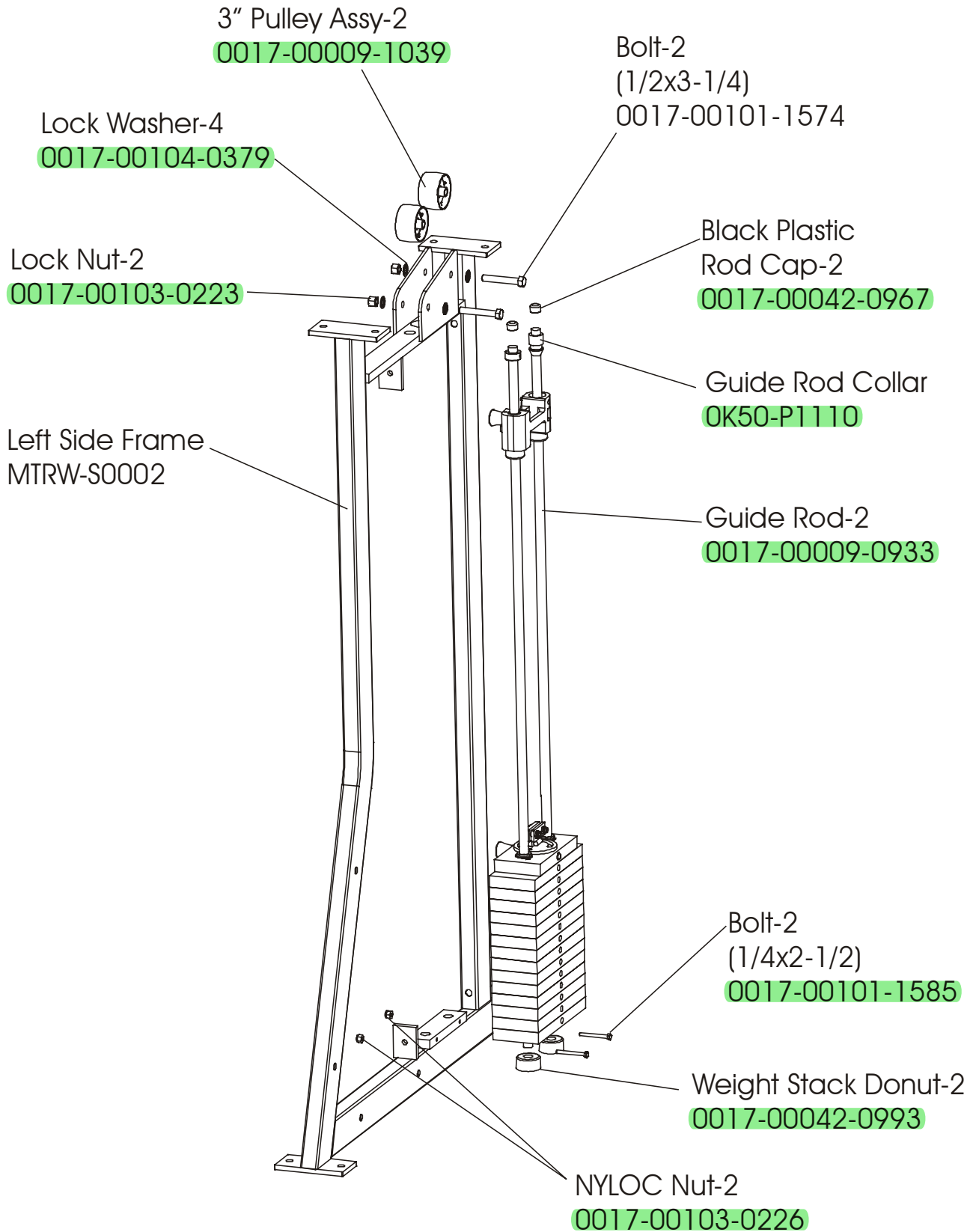
---



# MTRW ROW PRESS

## LEFT SIDE FRAME

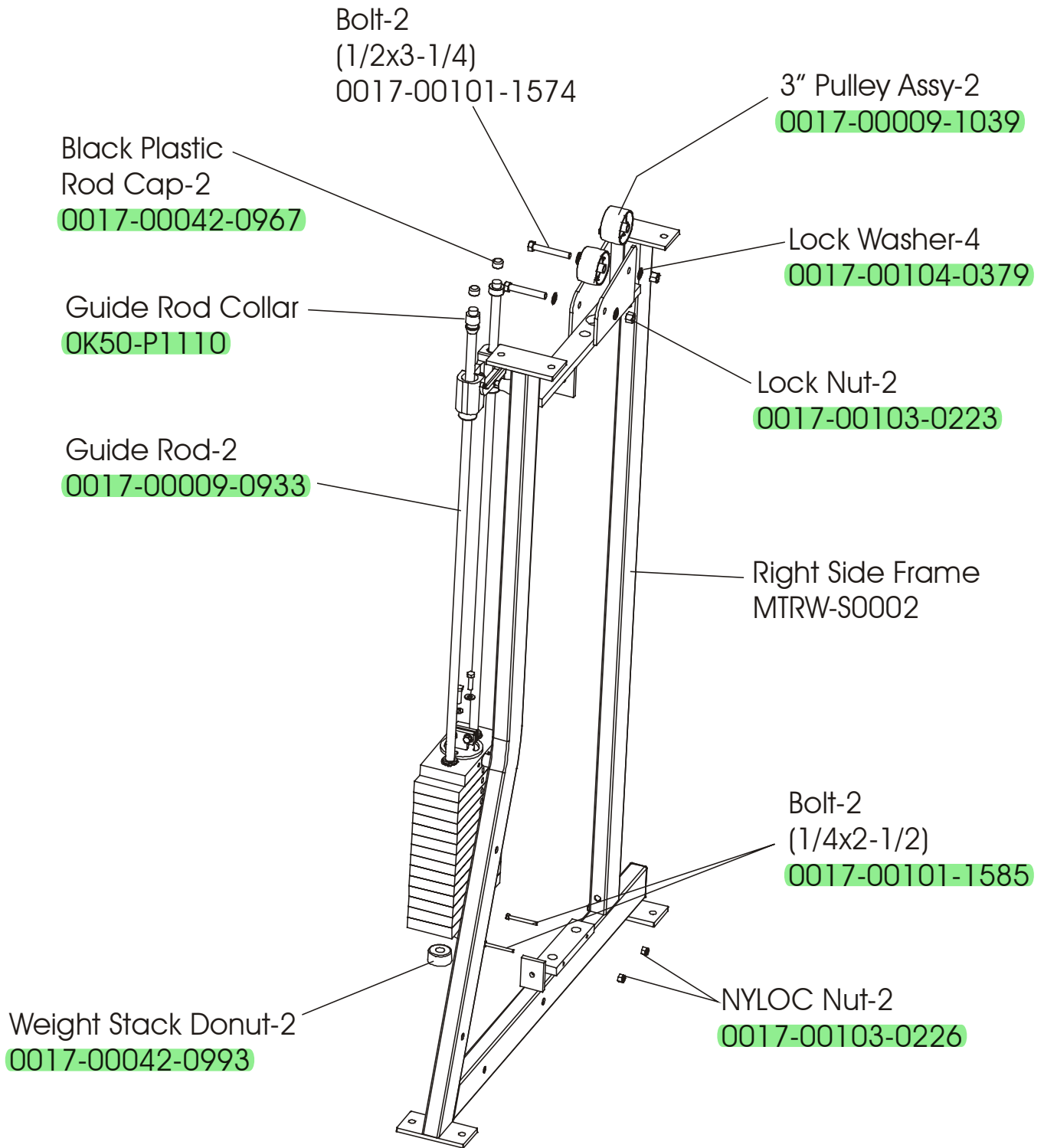
---



# MTRW ROW PRESS

## RIGHT SIDE FRAME

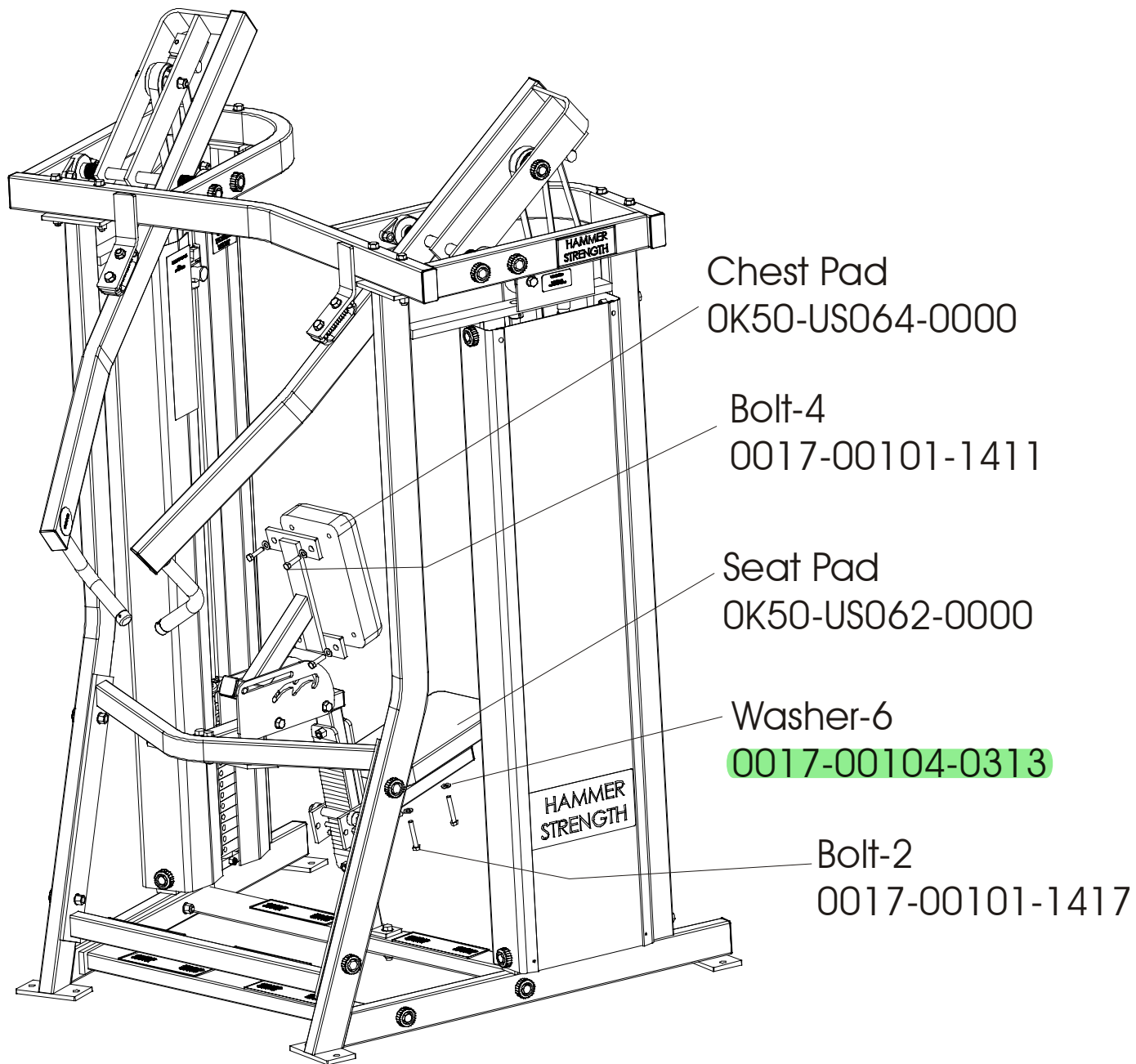
---



# MTRW ROW PRESS

## PADS

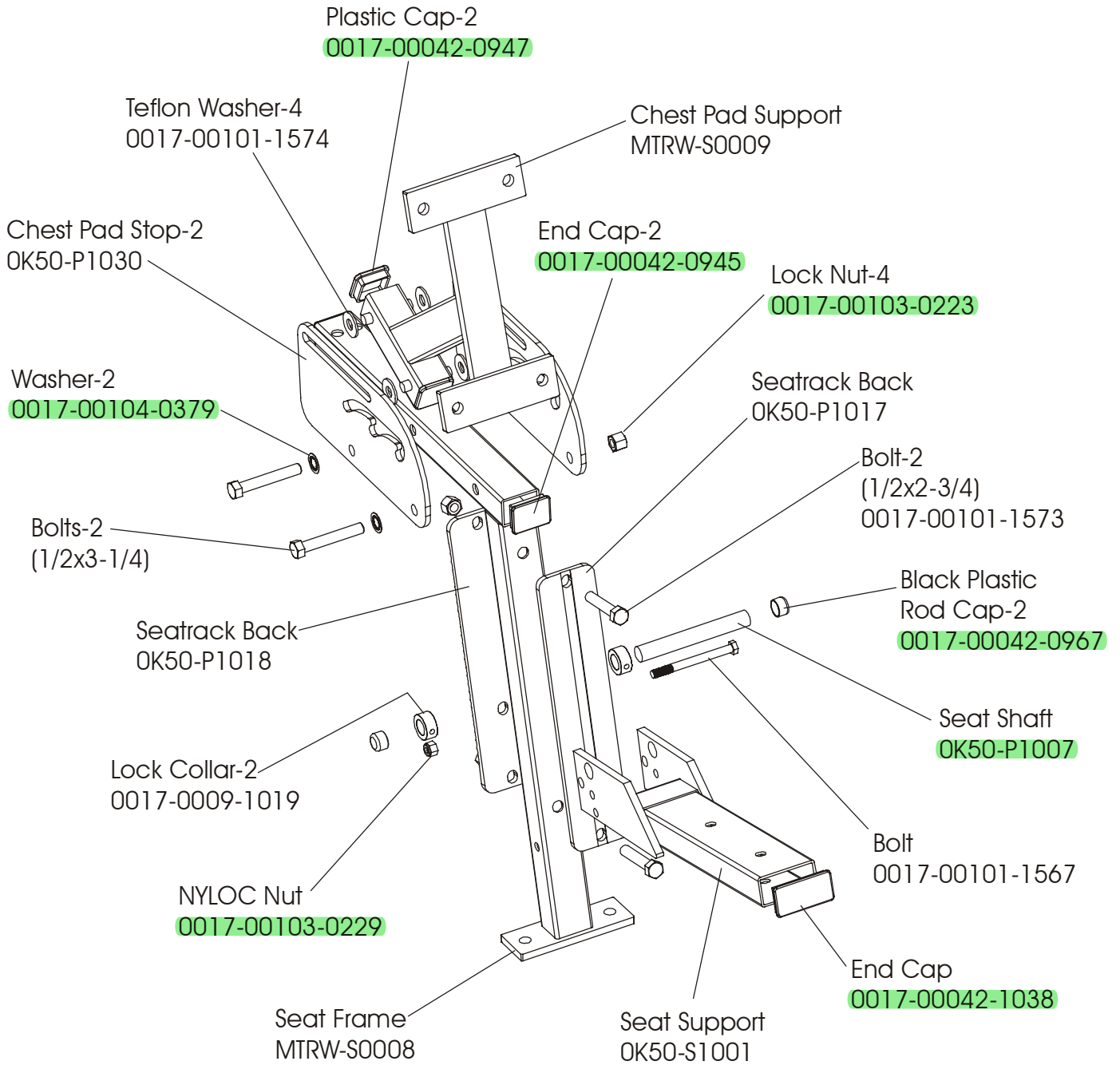
---





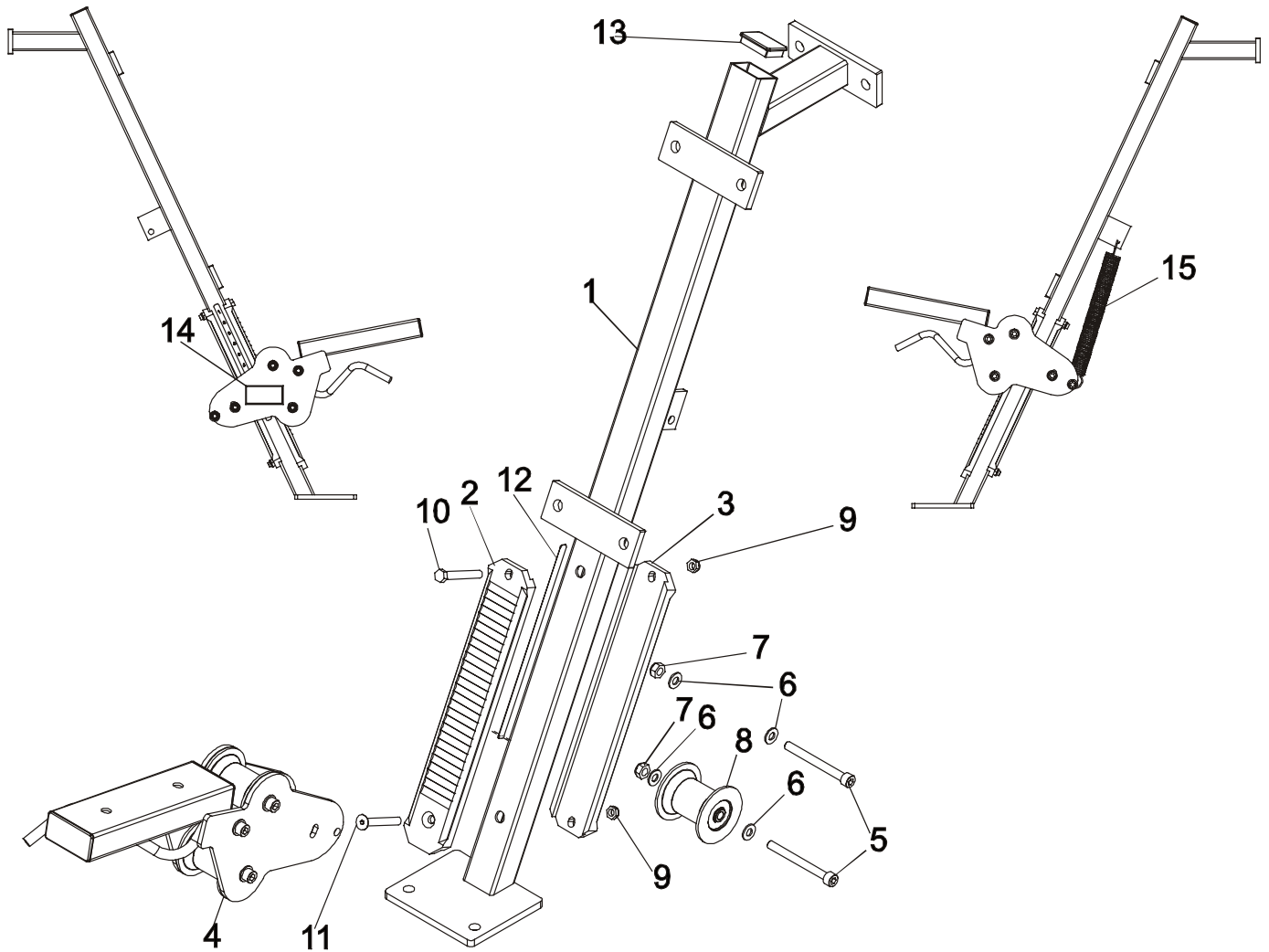
# MTRW ROW PRESS

## SEAT FRAME WELDMENT



# MTRW ROW PRESS

## SEAT FRAME ASSEMBLY

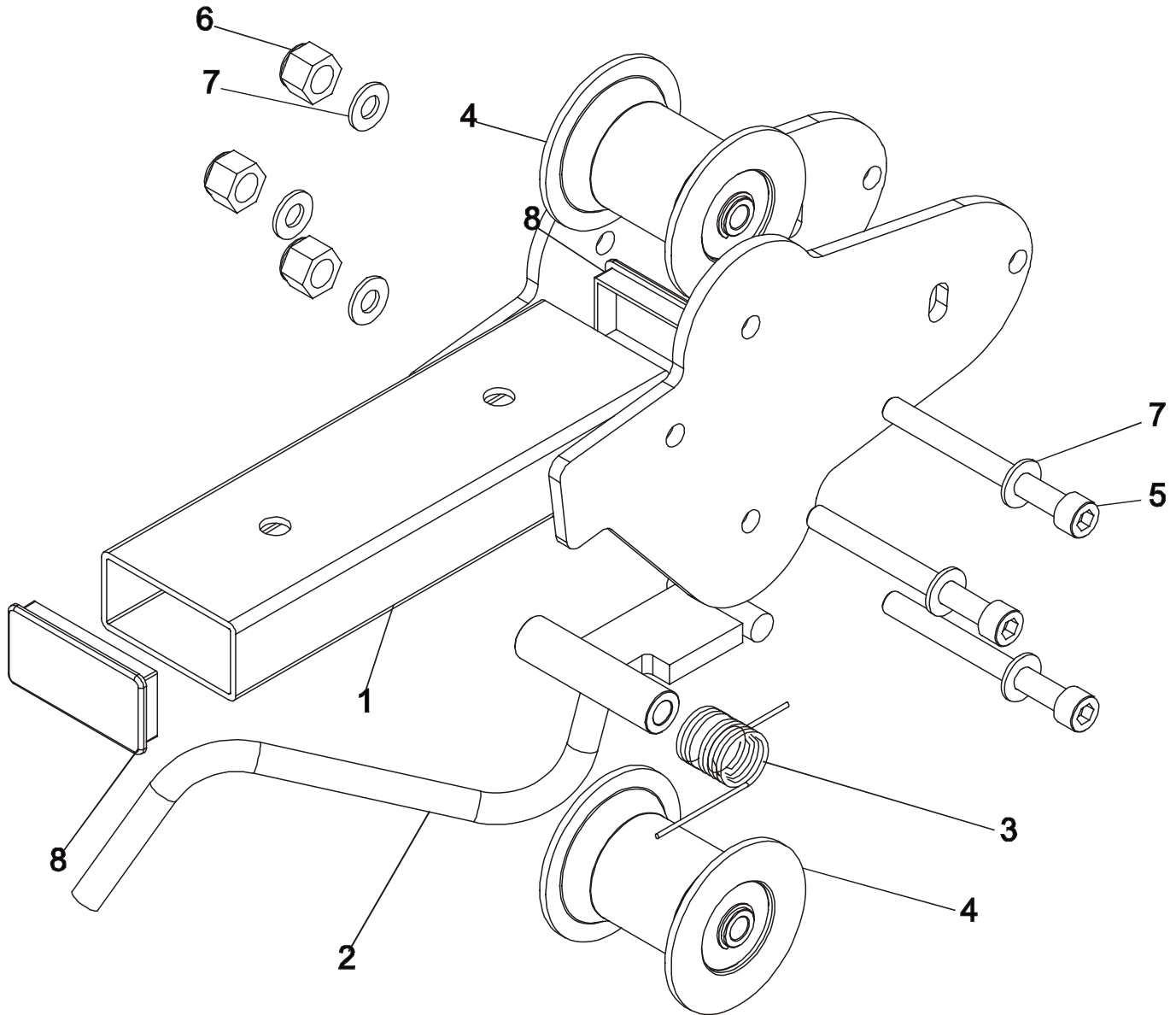


ITEM NO.	QTY.	PART NO.	DESCRIPTION
1	1	MTDP-S0002	Seat Frame Weldment
2	1	7359401	Seatrack, Roller Serrated
3	1	7359501	Seatrack, Roller Flat
4	1	AK50-A1007	MTS SEAT#2 ASSM. (ROLLER)
5	2	0017-00101-1662	M10 X 64 HXS SOC CS ST ZN
6	4	0017-00104-0377	3/8" Internal Lock Washer
7	2	0017-00103-0289	10mm THIN NYLOC NUT
8	1	73763	ROLLER ASSM.
9	2	0017-00103-0217	3/8" Thin Lock Nut
10	1	0017-00101-1408	3/8 X 2 3/4 Bolt
11	1	0017-00101-1664	3/8" FLAT HEAD BOLT
12	1	M051-00296-A000	NUMBER STRIP (1-12)
13	1	0017-00042-0945	1 1/2 X 2 Endcap
14	1	M051-00602-A000	MTAB SEAT INSTR. DECAL
15	1	7442601	MTS SEAT EXTENSION SPRING

# MTRW ROW PRESS

## SEAT ROLLER ASSEMBLY

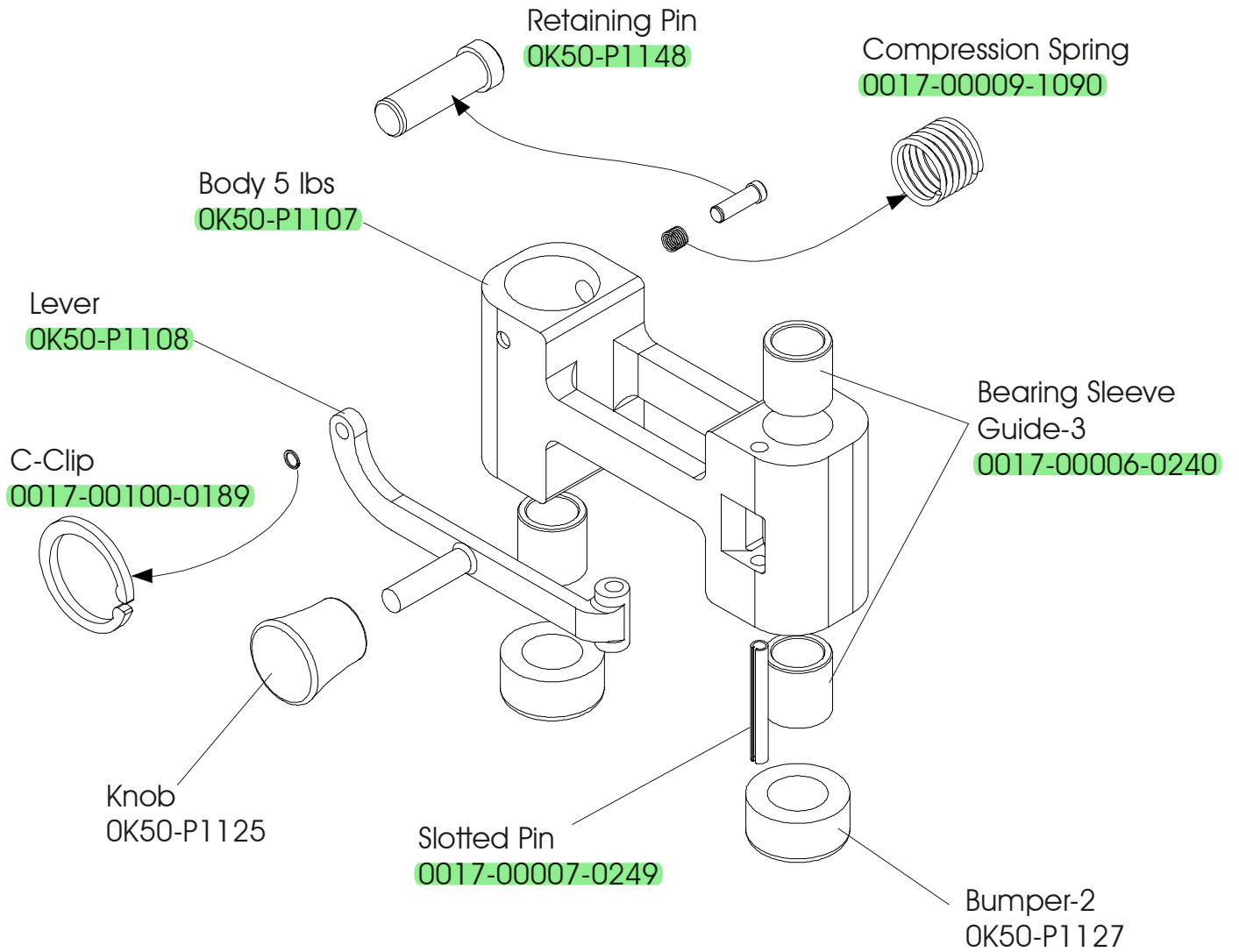
---



ITEM NO.	QTY.	PART NO.	DESCRIPTION
1	1	0K50-S1006	MTS SEAT #1 (ROLLER)
2	1	AK50-S0040-0000	WELDMENT, PS- ROLLER SEAT HANDLE
3	1	0017-00009-1110	TORSION SPRING, S.S.
4	2	73763	ROLLER ASSM.
5	3	0017-00101-1662	M10 X 64 HXS SOC CS ST ZN
6	3	0017-00103-0223	1/2" THICK NYLOC NUT
7	6	0017-00104-0377	3/8" Internal Lock Washer
8	2	0017-00042-1038	1.5" X 3.0" PLASTIC END CAP

# MTRW ROW PRESS INCREMENT WEIGHT

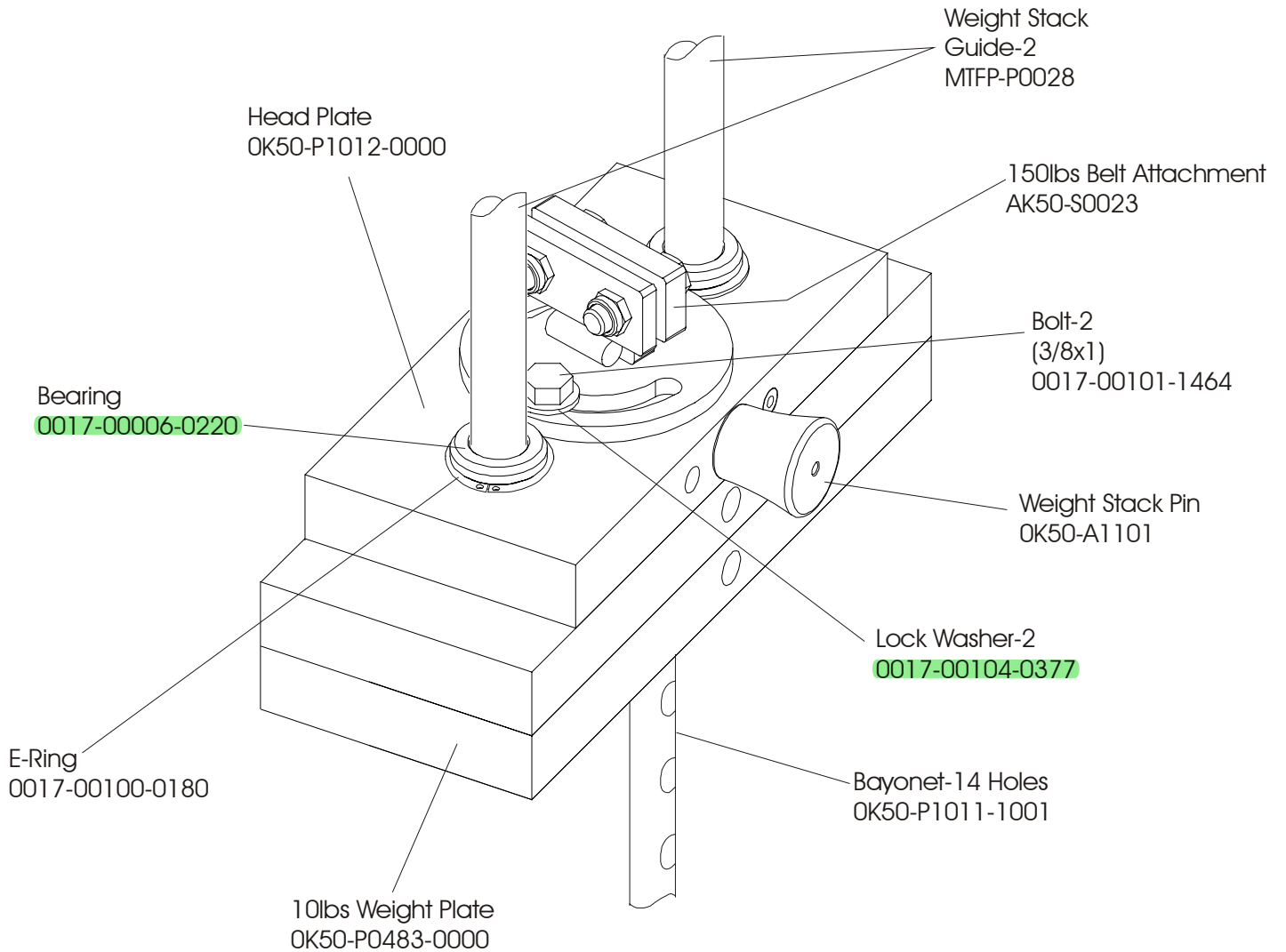
---



# MTRW ROW PRESS

## WEIGHT STACK

---



# MTRW ROW PRESS

## DECALS

